



## tlhIngan maH! (We are Klingons!)

The Klingons (known in the Klingonese language as "tlhIngan") are a humanoid warrior species originating from the M-class planet Qo'noS (pronounced, "Kronos"). One of the major powers in the Galaxy, the Klingon culture has created an interstellar military force to be respected and feared.

The **Klingon D7 Battlecruiser** is by far the most stalwart design and a symbol of Klingon military power in the second half of the 23rd Century. The **D7**-type vessel is almost predatory in its appearance, with a spread-wing main hull, long neck and head-like command pod. The **D7 Battlecruiser** has gained a level of fame equal to that of Starfleet's **Constitution**-class Starships.

Polar Lights presents the **Klingon D7 Battlecruiser Snap Together Model Kit**. With more than 35 highly-detailed pieces, this is an exacting replica of the original Klingon ships from **Star Trek**.

### STICKERS - DECALS

This kit provides stickers for the modeler who is not comfortable with water-slide decals. If you do not wish to apply every tiny detail, simply apply only the larger elements of the sticker sheet. There is an optional sheet of water-slide decals for the advanced modeler.

Choose the ship you wish to build, then follow the placement diagram working systematically to place each element as shown. The sticker/decals provided allow options to build one of four different vessels. There are two versions of the **Klingon D7 Battlecruiser** as well as two versions of a **Romulan** vessel.

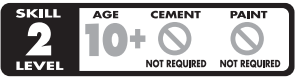
POLAR LIGHTS is a registered trademark of Learning Curve Brands, Inc. used under license to Round 2, LLC. ©2008 Learning Curve Brands, Inc. All rights reserved. TM, © & © 2008 CBS Studios Inc. All rights reserved. STAR TREK and related marks are trademarks of CBS Studios Inc. © 2008 Round 2, LLC, South Bend, IN 46623 USA. Product and packaging designed in the USA. Made in China. All rights reserved.

# STAR TREK<sup>®</sup> KLINGON™ D7 BATTLECRUISER

*all plastic assembly snap-together model kit*



Model Kit **POL806**



### BRIDGE ASSEMBLY

Snap both parts #128 (2) into part #6, then snap parts #5 and #6 together TRAPPING both parts #128 (2). Place part #234 into part #9. Snap part #8 and part #9 together TRAPPING part #234. Press assembly #8, 9, 234 into part #6. Press part #7 into place on part #6. This completes the bridge assembly.

Bridge assembly snaps onto torpedo bay/neck assembly.

### STARBOARD WING / NACELLE

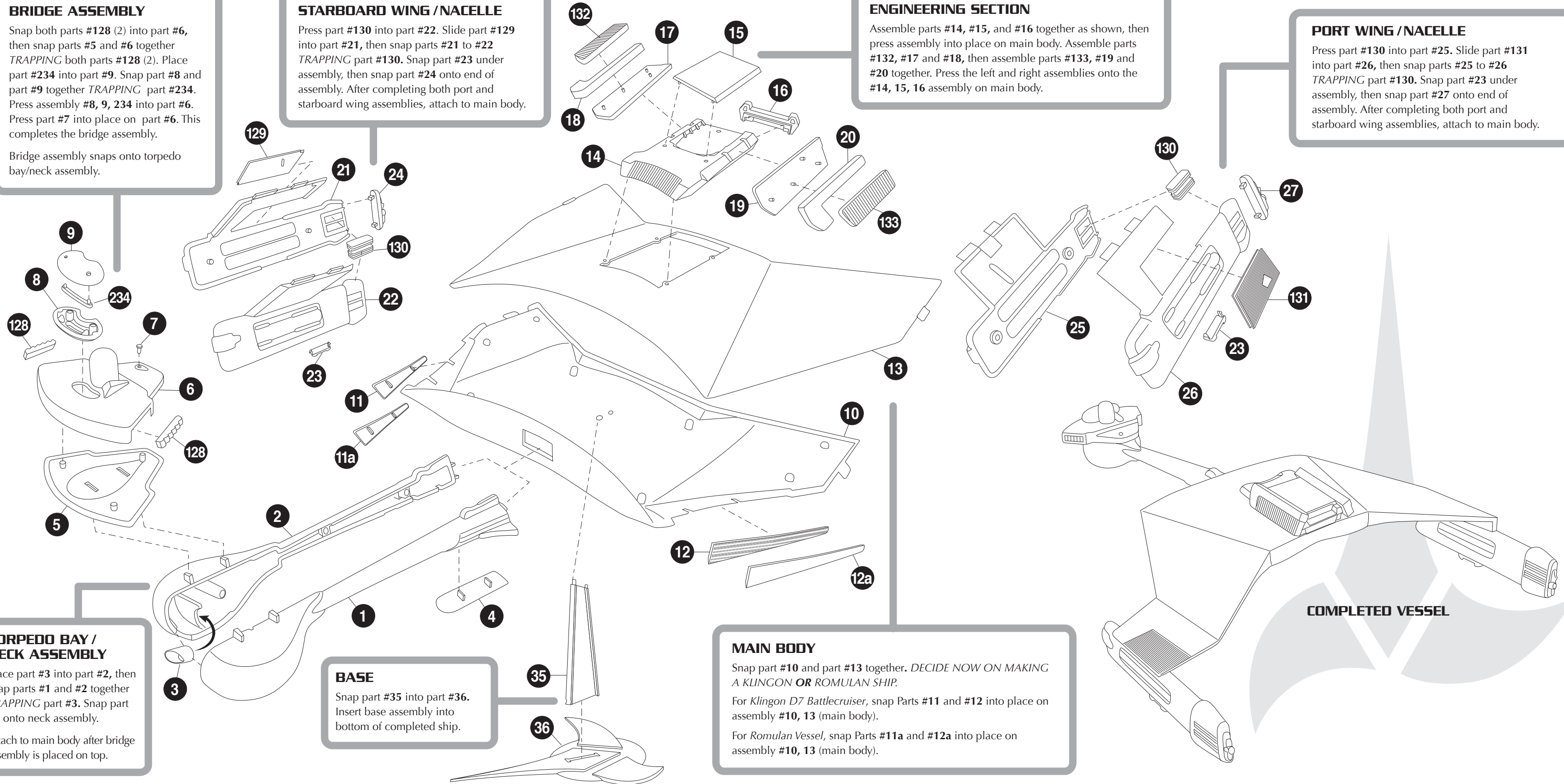
Press part #130 into part #22. Slide part #129 into part #21, then snap parts #21 to #22 TRAPPING part #130. Snap part #23 under assembly, then snap part #24 onto end of assembly. After completing both port and starboard wing assemblies, attach to main body.

### ENGINEERING SECTION

Assemble parts #14, #15, and #16 together as shown, then press assembly into place on main body. Assemble parts #132, #17 and #18, then assemble parts #133, #19 and #20 together. Press the left and right assemblies onto the #14, 15, 16 assembly on main body.

### PORT WING / NACELLE

Press part #130 into part #25. Slide part #131 into part #26, then snap parts #25 to #26 TRAPPING part #130. Snap part #23 under assembly, then snap part #27 onto end of assembly. After completing both port and starboard wing assemblies, attach to main body.



### TORPEDO BAY / NECK ASSEMBLY

Place part #3 into part #2, then snap parts #1 and #2 together TRAPPING part #3. Snap part #4 onto neck assembly.

Attach to main body after bridge assembly is placed on top.

### BASE

Snap part #35 into part #36. Insert base assembly into bottom of completed ship.

### MAIN BODY

Snap part #10 and part #13 together. *DECIDE NOW ON MAKING A KLINGON OR ROMULAN SHIP.*

For Klingon D7 Battlecruiser, snap Parts #11 and #12 into place on assembly #10, 13 (main body).

For Romulan Vessel, snap Parts #11a and #12a into place on assembly #10, 13 (main body).

COMPLETED VESSEL



# STAR TREK<sup>®</sup> KLINGON™ D7 BATTLECRUISER

all plastic assembly snap-together model kit

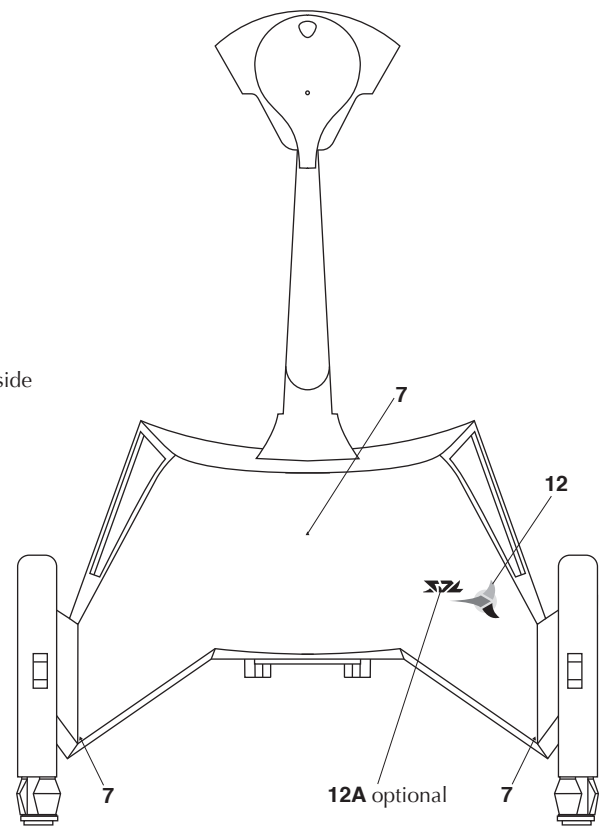
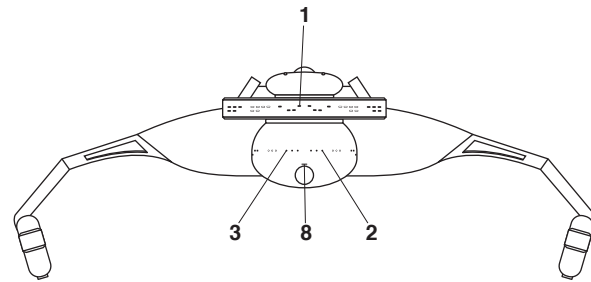
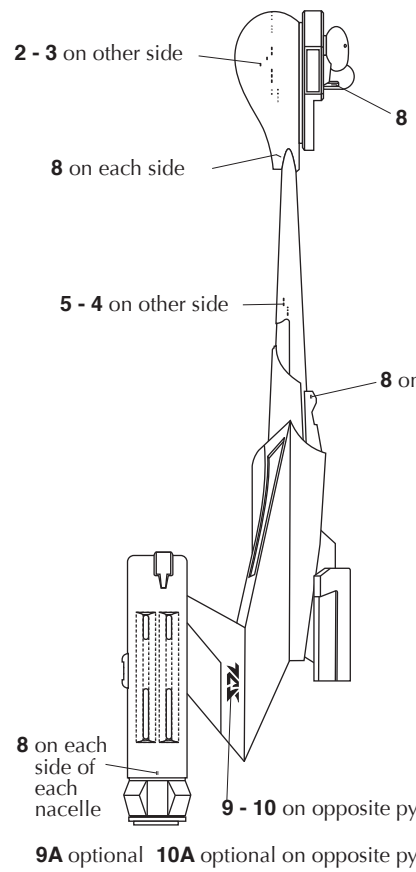
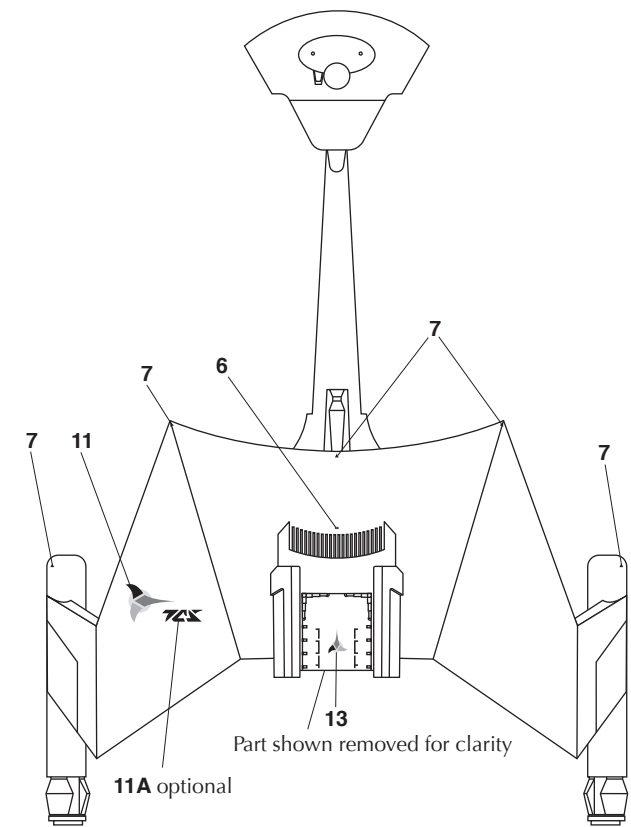


Model Kit **POL806**

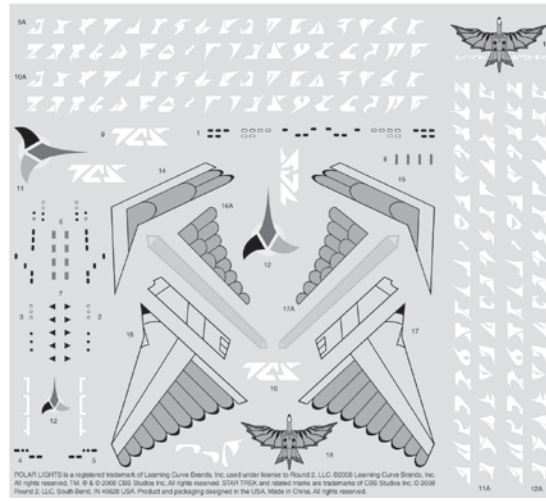
SKILL LEVEL **2**  
AGE **10+**  
CEMENT   
PAINT

## DECAL PLACEMENT SHIP A & B

- Markings **1 - 8, 11 - 13** common to any Klingon D7.
- **9A, 10A, 11A** and **12A** are optional.
- The Klingon alphabet is included 4 times for modeling different versions of this vessel.



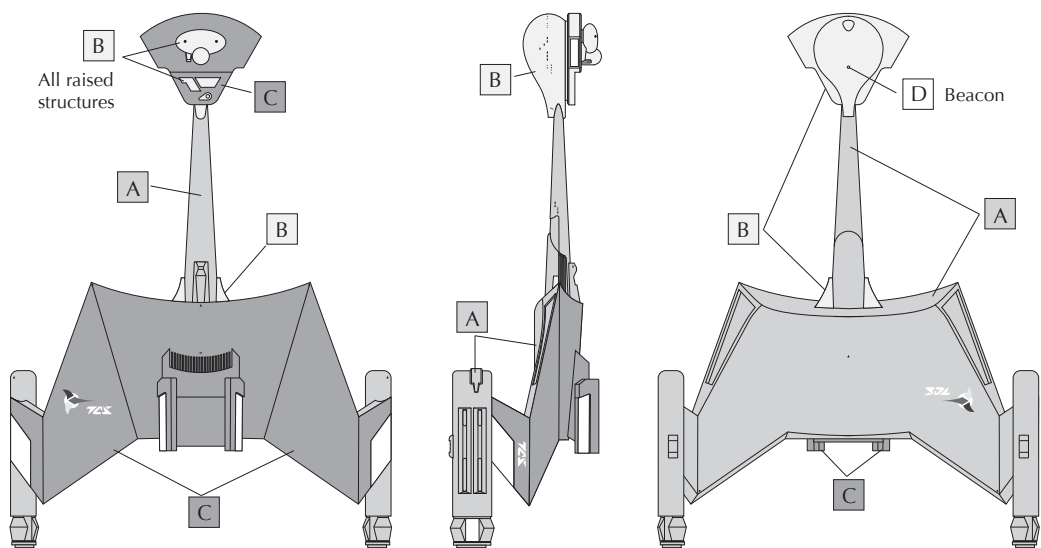
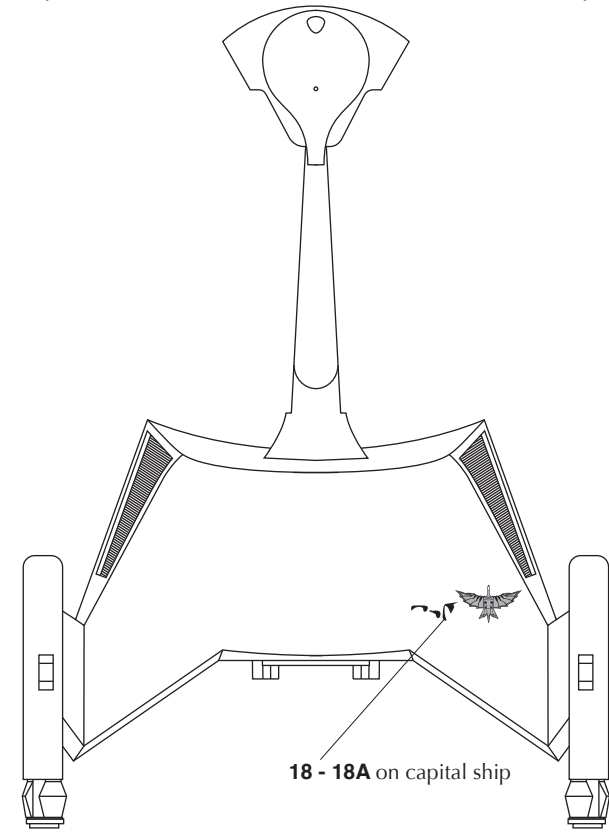
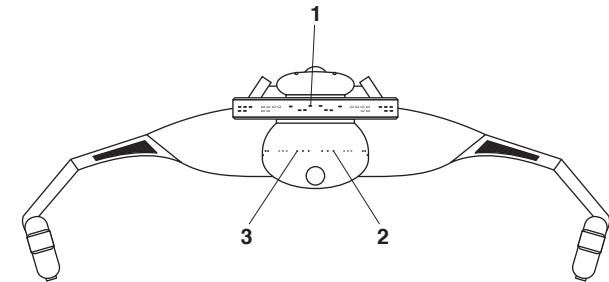
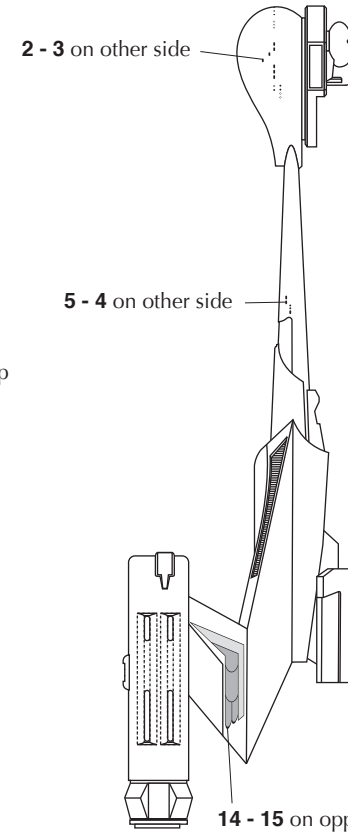
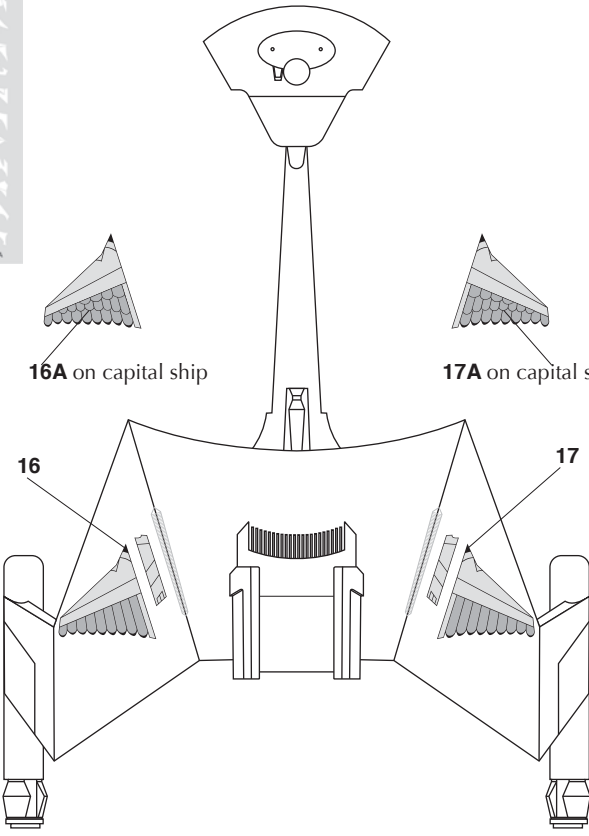
## KIT INCLUDES DECALS AND STICKERS



Klingon Alphabet  
T  
A b c h D e g h H I j l m n n g o P q r  
S t t h u v w y ' 1 2 3 4 5 6 7 8 9 0

## DECAL PLACEMENT SHIP C & D

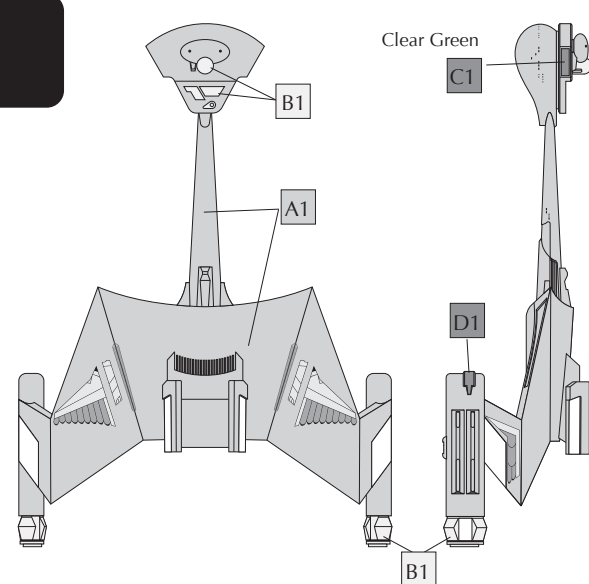
- Decal sheet includes markings for 2 different Romulan vessels.
- Markings **1 - 5, 14 - 17** common to both versions.
- **18** is used for a standard Romulan vessel.
- **16A, 17A** and **18A** denote a capital vessel.



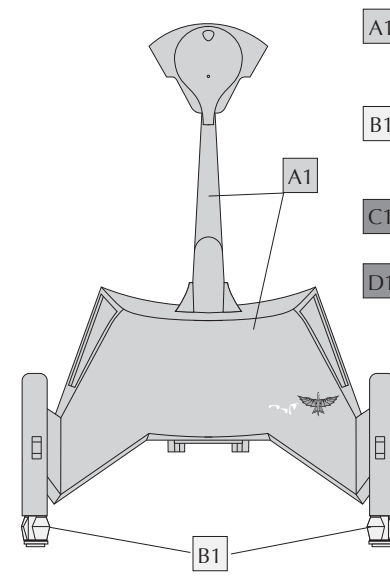
- A** Light Ghost Gray  
Testor's #1728
- B** 50% Light Ghost Gray  
Testor's #1728  
50% Flat White  
Testor's #1768
- C** 80% Light Ghost Gray  
Testor's #1728  
20% Napoleonic Violet  
Testor's #2013
- D** Flat White  
Testor's #1768

## PAINTING SUGGESTIONS

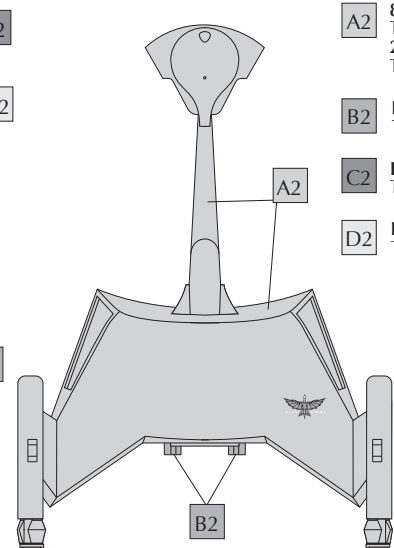
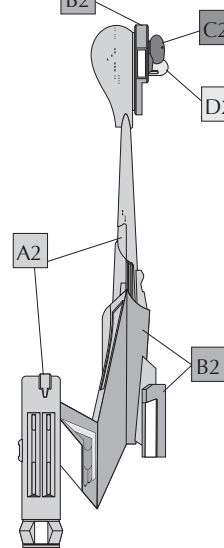
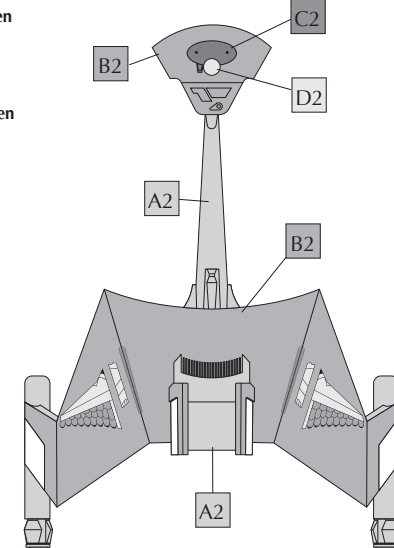
It is not necessary to paint this model kit to complete it. If the desired effect is to add a more realistic and detailed look, here are some suggestions for adding a few touches of paint. Spray chrome parts with a clear flat coat to give them a satin finish if desired.



- Clear Green  
**C1**
- Willow Green  
Testor's #2028  
**D1**



- A1** 80% Fulcrum Gray/Green  
Testor's #2134  
20% Flat White  
Testor's #1768
- B1** 50% Fulcrum Gray/Green  
Testor's #2134  
50% Flat White  
Testor's #1768
- C1** Acrylic Clear Green  
Testor's #4668
- D1** Willow Green  
Testor's #2028



- A2** 80% Fulcrum Gray/Green  
Testor's #2134  
20% Flat White  
Testor's #1768
- B2** Fulcrum Gray/Green  
Testor's #2134
- C2** International Orange  
Testor's #2022
- D2** Insignia Yellow  
Testor's #1708